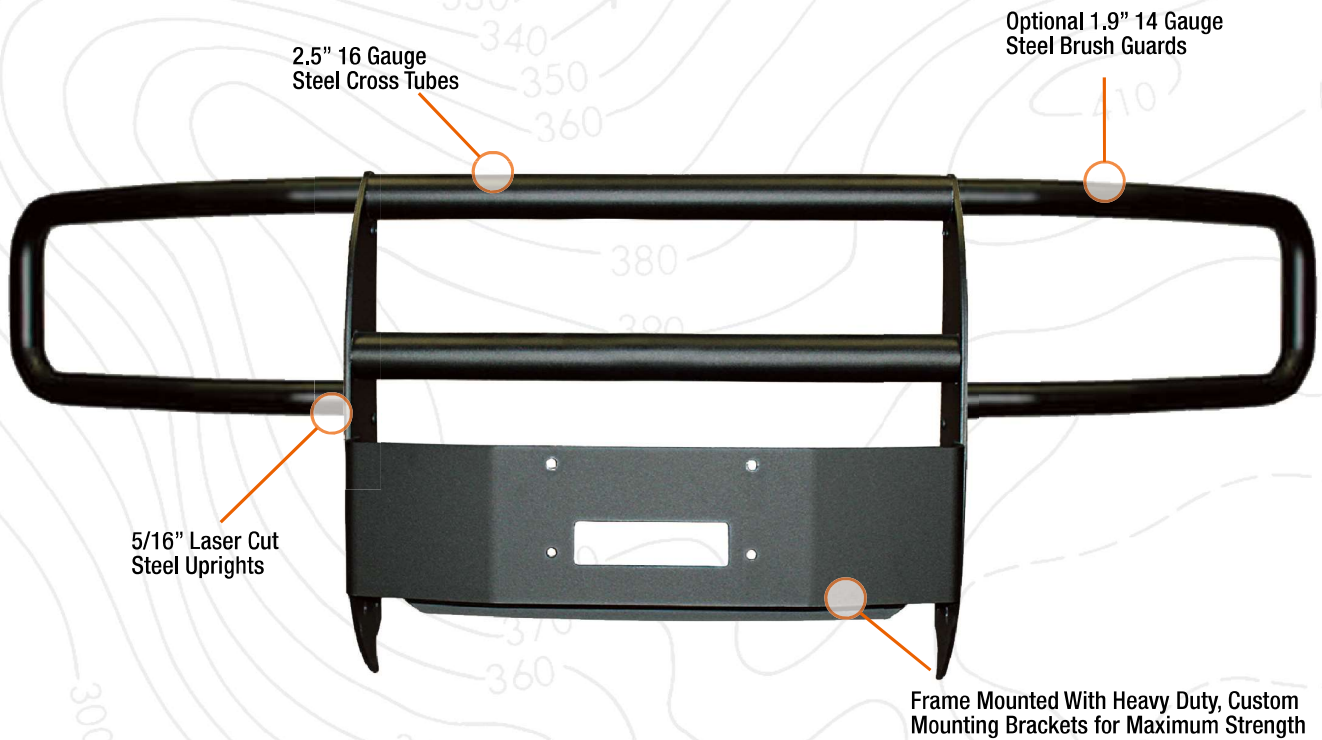


# TRUCK & SUV MOUNTS

Protect your vehicle and your winch with our custom built Xtreme II grille guards. All incorporate a 1/4 inch thick mounting steel plate and can accommodate up to a 15,000 pound Mile Marker winch. Optional "wraparound" brush guards can be added to finish out the protection. See chart on the next page for vehicle specific application guide.



Mount (With Brush Guard)

# TRUCK & SUV MOUNT APPLICATION GUIDE

Year	Make & Model	Part Number & Mount Model			
		Grille Guard (up to 15,000 Lb winches)	Grille Guard (up to 15,000 Lb winches)	Brush Guard	Brush Guard
		CHROME	BLACK	CHROME	BLACK
<b>CHEVROLET</b>					
'15-'19	Silverado 2500HD/3500 (7)	50-35752C	50-35752	50-26736C	50-26736
'11-'14	Silverado 2500HD/3500 (7)	50-35751C	50-35751	50-26751C	50-26751
'16-'18	Silverado 1500 (4) (7)	50-35746C	50-35746	50-26736C	50-26736
'14-'15	Silverado 1500 (4) (7)	50-35736C	50-35736	50-26736C	50-26736
'07-'13	Silverado 1500 (4) (7)	50-35735C	50-35735	50-26735C	50-26735
'07-'10	Silverado/Classic 2500HD/3500 Classic (1)	50-35738C	50-35738	50-26738C	50-26738
<b>DODGE</b>					
'10-'19	Ram 2500/3500 (3) (7) (10)	50-35669C	50-35669	50-26669C	50-26669
'07-'19	Ram 3500-5500 Chassis Cab (7)	50-35665C	50-35665	50-26663C	50-26663
'09-'18	Ram 1500 classic body (3) (7) (10)	50-35671C	50-35671	50-26669C	50-26669
'19- +	Ram new body		50-35673		
<b>FORD</b>					
'10-'13	Expedition (4) (6) (7)		50-35619		
'17-'19	Super Duty F250-550 (7) (8) (10)	50-35647C	50-35647	50-26647C	50-26647
'11-'16	Super Duty F250-550 (7) (10)	50-35644C	50-35644	50-26644C	50-26644
'08-'10	Super Duty F250-F550 (2) (7)	50-35642C	50-35642	50-26642C	50-26642
'09-'13	F150 (2) (4) (5) (6) (7)	50-35639C	50-35639	50-26639C	50-26639
'15-'17	F150 (7) (8) (9) (10)	50-35650C	50-35650	50-26650C	50-26650
'06-'08	F150 (1)	50-35637C	50-35637	50-26637C	
<b>GMC</b>					
'15-'19	Sierra 2500HD/3500 (1) (7)	50-35754C	50-35754		
'11-'14	Sierra 2500HD/3500 (1) (7)	50-35751C	50-35751	50-26751C	50-26751
'14-'18	Sierra 1500 (1) (4) (7)	50-35749C	50-35749		
'07-'13	Sierra 1500 (1) (4) (7)	50-35745C	50-35745		
<b>NISSAN</b>					
'05-'12	Pathfinder		50-35160		

## Product Guide

1. Will not fit Denali Models or Denali Style Grilles
2. Will not fit Harley Davidson Models
3. Will not fit Ram Sport or Plastic Bumpers
4. Trimming may be required
5. Will not fit Lariat Limited
6. Will not fit F-150 EcoBoost
7. Interferes with front bumper sensors
8. May interfere with adaptive power steering
9. Will not work with 5.0 V8 Engines
10. Will interfere with OEM front facing cameras

# CHANNEL MOUNTS

## TRUCK/SUV MOUNTING SYSTEMS

The simple mounting solution for your vehicle, these mounts can be welded or bolted to adapt to almost any application. All are made from 1/4" high quality steel and finished with a black powder coat.



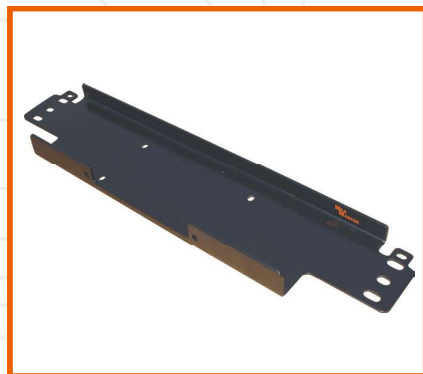
## UNIVERSAL CHANNEL MOUNT

50-87283



## TRAILER MOUNT

60-50015



## JEEP WRANGLER (TJ/YJ)

60-50059



# RECEIVER MOUNTS



## DETACHABLE MOUNTING SYSTEMS

Mile Marker's receiver mounts are detachable, providing versatility needed to move winches from back to front or from vehicle to vehicle. Simply add quick disconnect wiring and you're ready to go (see page 32 for quick disconnect kits).



FULL SIZE CRADLE MOUNT  
60-06495



RECEIVER MOUNT DESIGNED  
TO WORK WITH ATV/UTV WINCHES  
51-06496



ATV/UTV RECEIVER MOUNT  
51-4677



# RECOVERY GEAR

Choose the right kit for you.  
You can count on Mile Marker recovery gear to overcome the elements.



## Off Road Recovery Kit: 19-00100

Everything you need to get out of a pinch. In the event of a snap, our winch dampener directs the cable to the ground and keeps you safe. Doubling as the bag, it houses a 15' recovery strap, gloves, 20K snatch block with grease fitting, and two powder coated shackles.



## ATV/UTV Recovery Kit: 19-00105

Push your ATV or UTV to the limits. Includes: two powder coated shackles, gloves, 8K snatch block, and two 8 ft. recovery straps. Housed in a durable carrying case with strap.





### Orange Powder Coated Shackles

3/4" Shackle **60-50134**  
5/8" Shackle **60-50158**

Orange powder coated shackles. Working load limit of 4.75 tons for the 3/4" shackles and 3.2 tons for the 5/8" shackles.



### Steel Hitch Receiver With D-Ring

**60-65000C**

Zinc coated, forged cast, solid steel hitch receiver fits standard Class III hitches with 2" receivers. Includes a 4-way hole system and a 3/4" orange shackle to meet any mounting needs.



### Recovery Gloves

(XL) **30-19-62**

Protect your hands from cable burns and rope burns. Gloves feature cowhide palms, with SBR padding and neoprene lines for breathability and functional dexterity.



### Recovery Strap 15' & 30'

3" X 15' **19315**  
3" X 30' **19330**

15' and 30' Recovery Straps rated to 30,000 pound capacity.



### ATV Recovery Strap 8'

1" X 8' **19108**

8' Recovery Strap rated to 7,200 pounds, with reinforced eyelet on each end.



### Tree Saver Strap 6'

4" X 6' **19406**

Be conscious of your environment with this 6' Tree Saver strap. This Tree Saver Strap is rated to 50,000 pounds.



### Industrial Snatch Block 30K

**60-50185**

The Industrial Grade Snatch Block is rated up to 30,000 pounds of pull. Reduces the load on the winch by half to enable you to retrieve loads up to double your winch's capacity. Also allows winching from various angles. Features grease fitting and brash bushing.



### Heavy Duty Snatch Block 20K

**60-50083**

The Heavy Duty Snatch Block is rated up to 20,000 pounds. Reduces the load on the winch by half to enable you to retrieve loads up to double your winch's capacity. Also allows winching from various angles. Features grease fitting and brass bushing.



### ATV/UTV Snatch Block 8K

**60-50105**

This snatch block is rated up to 8,000 pounds. Reduces the load on the winch by half to enable you to retrieve loads up to double your winch's capacity. Also allows winching from various angles.



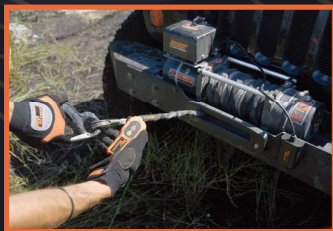
# WINCH ACCESSORIES



Wireless Remote  
7076

## WINCH WITHOUT WIRES

The plug & play wireless remote operates your winch from anywhere up to 50 feet away! Simply plug a receiver into your control box and you're ready to winch. Can adapt to most electric and hydraulic winches.



WIRELESS OPERATION UP TO 50 FT AWAY



ADAPTS TO MOST ELECTRIC WINCHES

## QUICK DISCONNECT KITS

Adding a quick disconnect kit allows for easy winch removal. Move your winch from the front to the back of your vehicle, or switch vehicles, whenever you need. Best used in conjunction with a receiver style mount.

### JEEP/TRUCK/SUV



Electric Front Quick Disconnect Kit  
76-93-54000



Electric Rear Quick Disconnect Kit  
76-93-53000

### POWERSPORTS



ATV/UTV Front Quick Disconnects  
93-53106



ATV/UTV Rear Quick Disconnects  
10' 93-53105 / 12' 93-53108

### HYDRAULIC



Hydraulic Front Quick Disconnect Kit  
70-54000



Hydraulic Rear Quick Disconnect Kit  
70-53000





**Replacement Solenoid**

PE2.5 & PE3.5 **77-50105-37**  
Full size winches **77-50141W-31**



**Roller Fairlead Cover 8402**

This impact resistant cover protects your Mile Marker WH-10 roller fairlead from weather and debris while adding a finished look to the front of your vehicle.



**Neoprene Winch Covers**  
Wraps snugly around your winch for all weather protection

Fits most ATV winches **8505**  
Fits most full size winches **8506**



**Roller Fairlead WH-18**

Works with 18,000 lb. winches



**Roller Fairlead WH-10**

Universal roller fairlead works with 8000-15000 pound winches. Also fits winch mount bumpers.



**Powersports Winch Rollers**

For winches 5000 pounds ONLY **WH-5**  
For winches 4500 pounds ONLY **WH-4**  
For winches 2500-3500 pounds **WH-2**  
For winches 2000 pounds ONLY **WH-1**



**Aluminum Hawse Fairlead**

For use with synthetic rope  
(ATV/UTV) **19-52000**  
(PE5000) **19-52005**  
(Full Size) **19-53000**



**Handlebar Remote 93-50106E**

For use with Mile Marker ATV/UTV winches. Adjustable mount provides accessible control to your trail blazing ATV.



**Electric & Hydraulic Remote 77-50141W-50**

For use with Mile Marker electric winches with standard solenoids.



**Winch Shackle Mount 60-12166**

Upgrades the conventional winch hook for a clean and sophisticated look on the front of the vehicle and an easy mount for your shackle. Mounts either a 5/8" or 3/4" shackle. Rubber construction will not rust or rattle in travel.



**Replacement Cable**

5/16" X 100' **19-50010C**  
3/8" X 100' **19-50020C**  
Steel cable with removable hook.



**Synthetic Rope**

**19-52038-100C \***  
3/8" X 92' Gray Rope Assembly  
(16,200 lbs. Min Break Force)  
**19-52516-100C \***  
5/16" X 92' Gray Rope Assembly  
(11,700 lbs. Min Break Force)  
**19-52014-50**  
1/4" X 50' Gray Rope Assembly  
(7,740 lbs. Min Break Force)  
**19-52316-50**  
3/16" X 50' Orange Rope Assembly  
(5,440 lbs. Min Break Force)



**2000 lb. Winch Remote**

**76-50100-20**  
Fits most utility 12V winches

Attached hook included \*