

FIFTHWHEELER

Z252

— PERMANENT MOUNT —

**THE WORLD LEADER IN HEAVY DUTY
DETACHABLE TOWING.**



When removing the Zacklift is not necessary, a Permanent mounting is the choice. Self-installation is a common option, with an excellent outcome every time. Any chassis make, model or year, any bare frame or conventional wrecker can be transformed into a state-of-the-art transporter. The Permanently mounted Zacklift is available in 3 heavy duty models Z453, Z353, and Z252.

Designed for "light" heavy duty towing, the Z252 is capable of moving small to mid-size motorhomes, box trucks, package delivery vehicles, and semi tractors. The Z252 is often purchased by fleets to tow their own trucks. The Z252 incorporates the tube-in-tube underlift boom design that is simple and easy to maintain. The Permanently mounted Z252 transports everything a medium duty tow truck can, at a fraction of the price. The unit arrives road ready for installation and has been engineered with Zacklift trademark ruggedness to stand up to the demands of professional tower's day-in and day-out use and still outlast the truck.

Customer quote:

"The Zacklift does absolutely everything they said it would do. It does a fantastic job."

Rockport, MO - Vic Graybill / Graybill Tire & Tire

*Some minor assembly and installation is required.



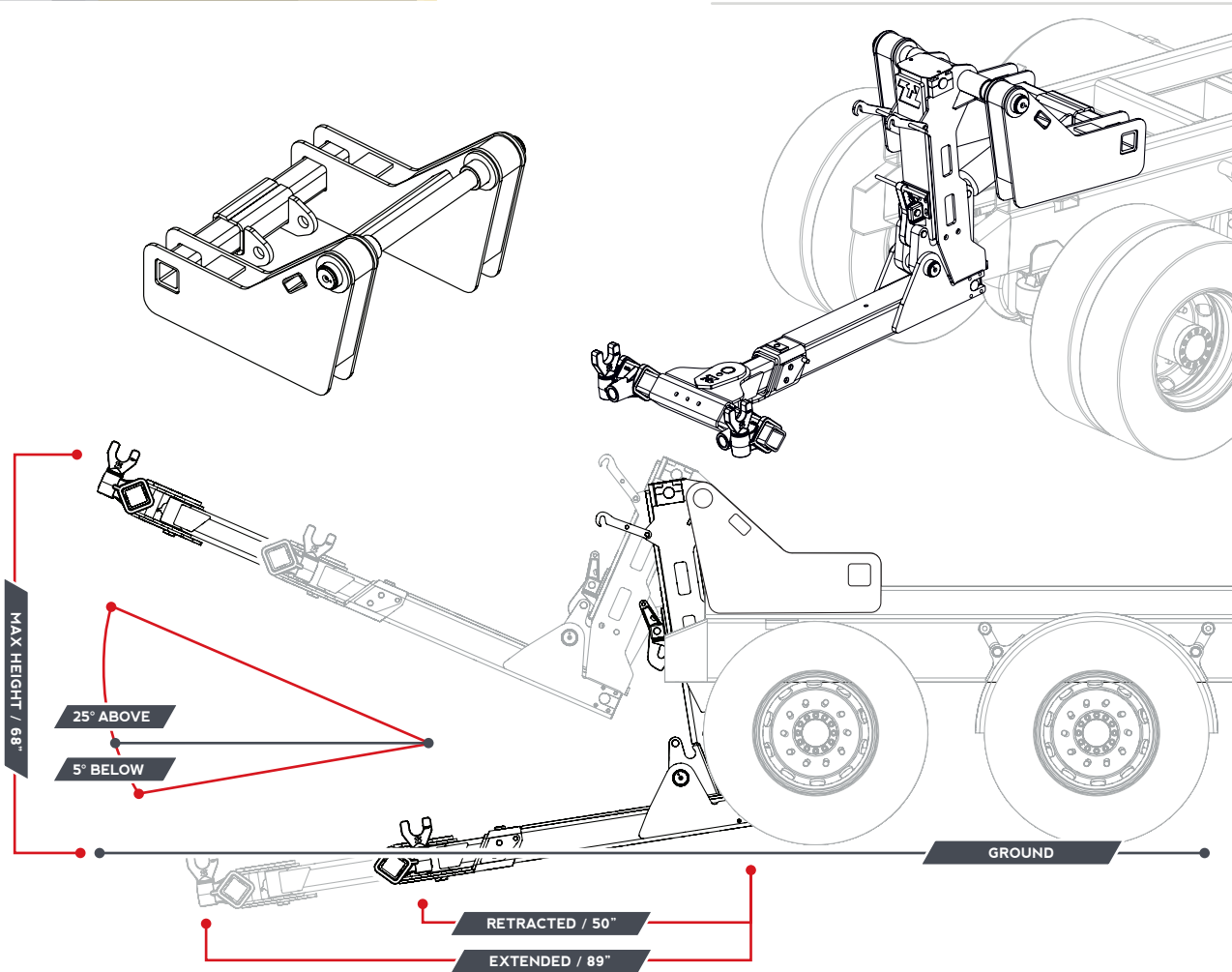
* Optional stifflegs shown, not included with the base pack -

FIFTH WHEELER Z252

— PERMANENT MOUNT —



Z252 PERMANENT / MODEL DETAILS



Z353 PERMANENT MOUNT PICTURED

Z252 PERMANENT STANDARD FEATURES

- 25' Remote Controller
- 5 Sets Frame Forks
- Chain Hook End Caps
- Universal Fork Receiver
- 12" Extension Fork Receiver
- American Made Sectional Valve or 12V Hydraulic Power Unit
- Passenger Side Controls (Standard)

Z252 PERMANENT OPTIONAL ACCESSORIES

- Wireless Remote
- 5" 25K Stifflegs w/ 13" Flip Feet (Weld On)
- 7" 38K Stifflegs w/ 18" Flip Feet (Weld On)
- Warn 20K or 30K Hydraulic Winch w/ 200' 1/2" Wire Rope
- Custom Aerodyne Toolboxes
- Custom Aluminum Fenders
- 20K Pintel and Ball Hitch

* Subframe Supplied by Customer

* Minor Assembly Required

* Sectional Valve Bracket Supplied by Customer

* Tool Box Mounting Bracket Supplied by Customer

CAPACITY SPECIFICATIONS

LIFT CAPACITY - RETRACTED / 25,000 LBS

LIFT CAPACITY - EXTENDED / 13,000 LBS

TOW CAPACITY / 75,000 LBS

UNDERLIFT TILT ABOVE GROUND / 25 DEG

UNDERLIFT TILT BELOW GROUND / 5 DEG

REACH RETRACTED / 50 IN

REACH EXTENDED / 89 IN

MAX REACH W/ 12" EXTENSION / 101 IN

LIFT HEIGHT / 68 IN

UNIT WEIGHT / 4,803 LBS

