

FIFTHWHEELER / Z353

— PERMANENT MOUNT —

**THE WORLD LEADER IN HEAVY DUTY
DETACHABLE TOWING.**



When removing the Zacklift is not necessary, a Permanent mounting is the choice. Self-installation is a common option, with an excellent outcome every time. Any chassis make, model or year, any bare frame or conventional wrecker can be transformed into a state-of-the art transporter. The Permanently mounted Zacklift is available in 3 heavy duty models Z453, Z353, and Z252.

Designed for "general" heavy duty towing, the Z353 is perfect for moving motorhomes, buses, and heavy trucks. The Z353 incorporates the unique channel-in-channel underlift boom design that responds better to rough roads and loads that bounce. The Permanently mounted Z353 transports everything a heavy duty tow truck can, at a fraction of the price. The unit arrives road ready for installation and has been engineered with Zacklift trademark ruggedness to stand up to the demands of professional tower's day-in and day-out use and still outlast the truck.

Customer quote:

"This Zacklift has, never, never, given me any trouble. I'm going to buy my second one."

Waldenford, OH - Sam Thompson / Sam's Towing

*Some minor assembly and installation is required.

* Optional stifflegs shown, not included with the base package.

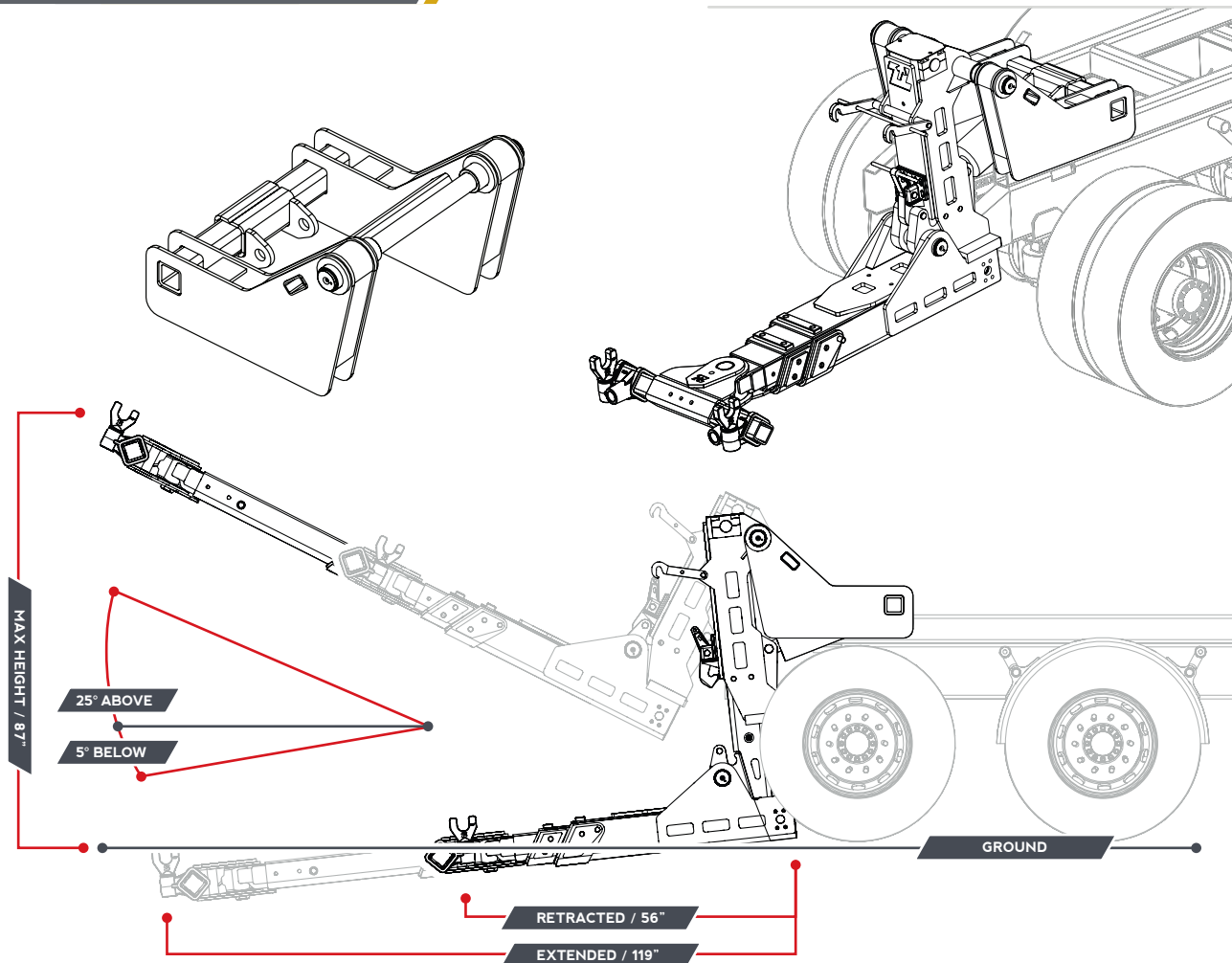


FIFTH WHEELER / Z353

— PERMANENT MOUNT —



Z353 PERMANENT / MODEL DETAILS



CAPACITY SPECIFICATIONS

LIFT CAPACITY - RETRACTED / 35,000 LBS	REACH RETRACTED / 56 IN
LIFT CAPACITY - EXTENDED / 16,000 LBS	REACH EXTENDED / 119 IN
TOW CAPACITY / 85,000 LBS	MAX REACH W/ 12" EXTENSION / 131 IN
UNDERLIFT TILT ABOVE GROUND / 25 DEG	LIFT HEIGHT / 87 IN
UNDERLIFT TILT BELOW GROUND / 5 DEG	UNIT WEIGHT / 5,115 LBS

Z353 PERMANENT MOUNT PICTURED

Z353 PERMANENT STANDARD FEATURES

- 25' Remote Controller
- 5 Sets Frame Forks
- Chain Hook End Caps
- Universal Fork Receiver
- 12" Extension Fork Receiver
- American Made Sectional Valve or 12V Hydraulic Power Unit
- Passenger Side Controls (Standard)

Z353 PERMANENT OPTIONAL ACCESSORIES

- Wireless Remote
- 5" 25K Stifflegs w/ 13" Flip Feet (Weld On)
- 7" 38K Stifflegs w/ 18" Flip Feet (Weld On)
- Warn 20K or 30K Hydraulic Winch w/ 200' 1/2" Wire Rope
- Custom Aerodyne Toolboxes
- Custom Aluminum Fenders
- 20K Pintel and Ball Hitch

- * Subframe Supplied by Customer
- * Minor Assembly Required
- * Sectional Valve Bracket Supplied by Customer
- * Tool Box Mounting Bracket Supplied by Customer

