

FIFTHWHEELER / **Z453**

— PERMANENT MOUNT —

**THE WORLD LEADER IN HEAVY DUTY
DETACHABLE TOWING.**



When removing the Zacklift is not necessary, a Permanent mounting is the choice. Self-installation is a common option, with an excellent outcome every time. Any chassis make, model or year, any bare frame or conventional wrecker can be transformed into a state-of-the art transporter. The Permanently mounted Zacklift is available in 3 heavy duty models Z453, Z353, and Z252.

Designed for "super" heavy duty towing, the Z453 is perfect for moving large motorhomes, multisession public buses, cement trucks, and garbage trucks. The Z453 incorporates the unique channel-in-channel underlift boom design that responds better to rough roads and loads that bounce. The Permanently mounted Z453 transports everything a heavy duty tow truck can, at a fraction of the price. The unit arrives road ready for installation and has been engineered with Zacklift trademark ruggedness to stand up to the demands of professional tower's day-in and day-out use and still outlast the truck.

Customer quote:

"Trash trucks, loaded dump trucks; our drivers can't find anything they can't lift and scale. I love it."

Palm Springs, CA - Art Cristie / Brothers Towing II

*Some minor assembly and installation is required.

* Optional stifflegs shown, not included with the base package.

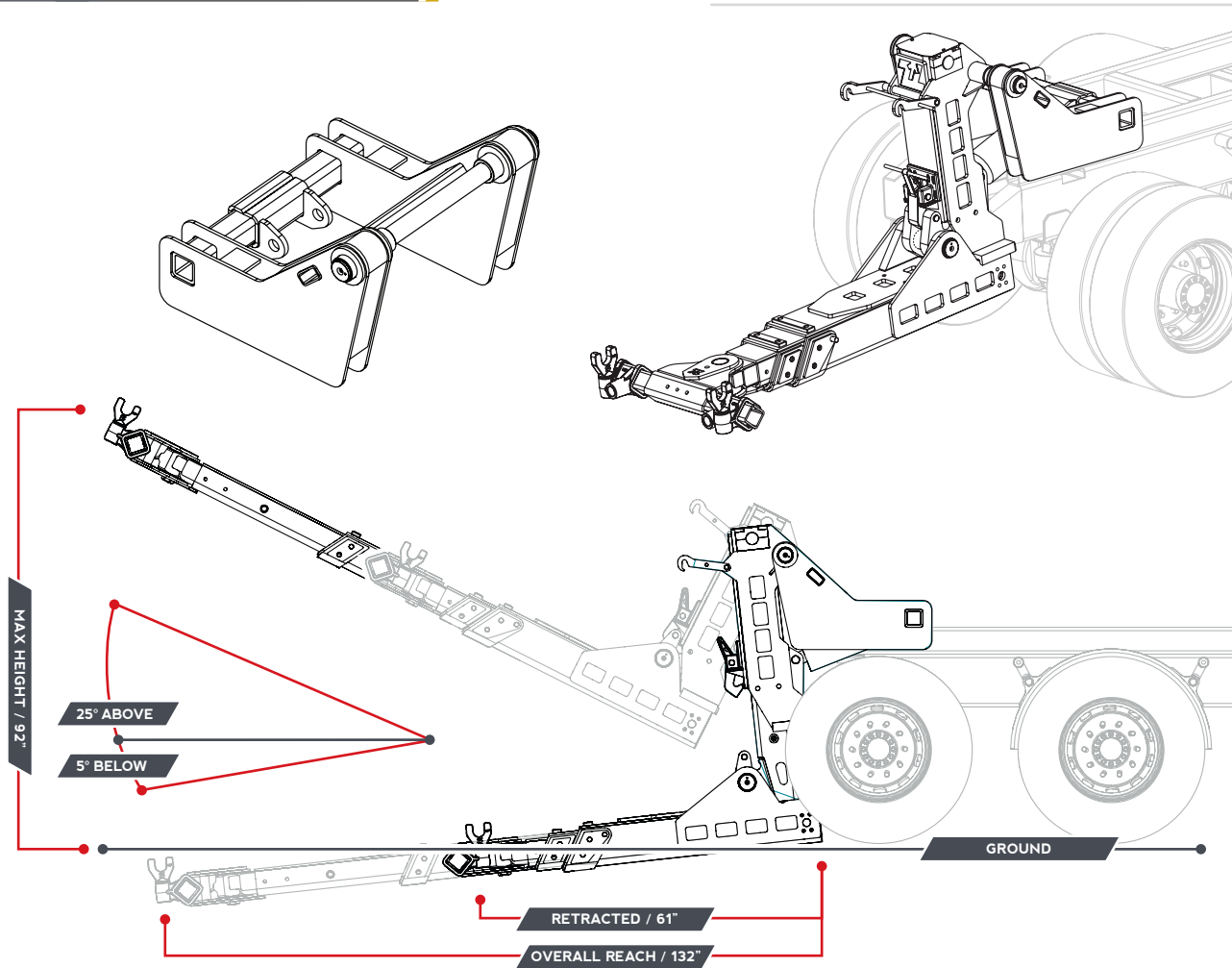


FIFTH WHEELER / Z453

— PERMANENT MOUNT —



Z453 PERMANENT / MODEL DETAILS



Z353 PERMANENT MOUNT PICTURED

Z453 PERMANENT STANDARD FEATURES

- 25' Remote Controller
- 5 Sets Frame Forks
- Chain Hook End Caps
- Universal Fork Receiver
- 12" Extension Fork Receiver
- American Made Sectional Valve or 12V Hydraulic Power Unit
- Passenger Side Controls (Standard)

Z453 PERMANENT OPTIONAL ACCESSORIES

- Wireless Remote
- 5" 25K Stifflegs w/ 13" Flip Feet (Weld On)
- 7" 38K Stifflegs w/ 18" Flip Feet (Weld On)
- Warn 20K or 30K Hydraulic Winch w/ 200' 1/2" Wire Rope
- Custom Aerodyne Toolboxes
- Custom Aluminum Fenders
- 20K Pintel and Ball Hitch

* Subframe Supplied by Customer

* Minor Assembly Required

* Sectional Valve Bracket Supplied by Customer

* Tool Box Mounting Bracket Supplied by Customer

CAPACITY SPECIFICATIONS

LIFT CAPACITY - RETRACTED / 45,000 LBS

LIFT CAPACITY - EXTENDED / 20,000 LBS

TOW CAPACITY / 100,000 LBS

UNDERLIFT TILT ABOVE GROUND / 25 DEG

UNDERLIFT TILT BELOW GROUND / 5 DEG

REACH RETRACTED / 61 IN

REACH EXTENDED / 132 IN

MAX REACH W/ 12" EXTENSION / 144 IN

LIFT HEIGHT / 92 IN

UNIT WEIGHT / 5,805 LBS

